

Recloser mountings are constructed of rigid structural- or formed-steel parts, all heavily galvanized after complete fabrication. Parts are assembled with bolts where shipment and field handling are facilitated. Some frames incorporate welded construction, to provide a high degree of rigidity with a minimum of weight.

Necessary holes are provided to attach auxiliary fittings for mounting optional accessories. Some frames, as indicated on following drawings are adjustable in height. With this flexibility, a variety of application conditions can be satisfied.

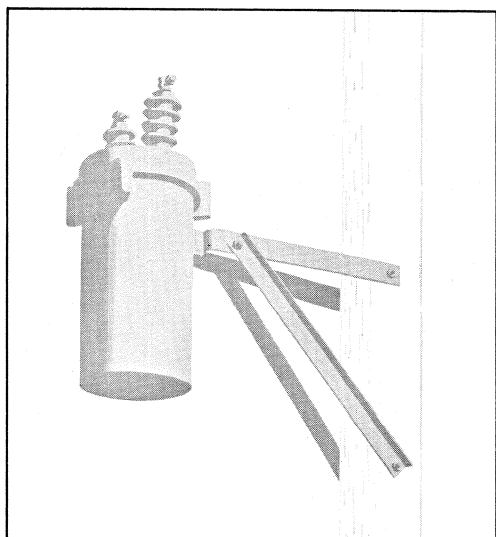
SUMMARY TABLES

In following tables, standard frames and auxiliary adapter fittings are summarized. Windlass-type tank hoists are included. Parts are ordered by the brief description plus the

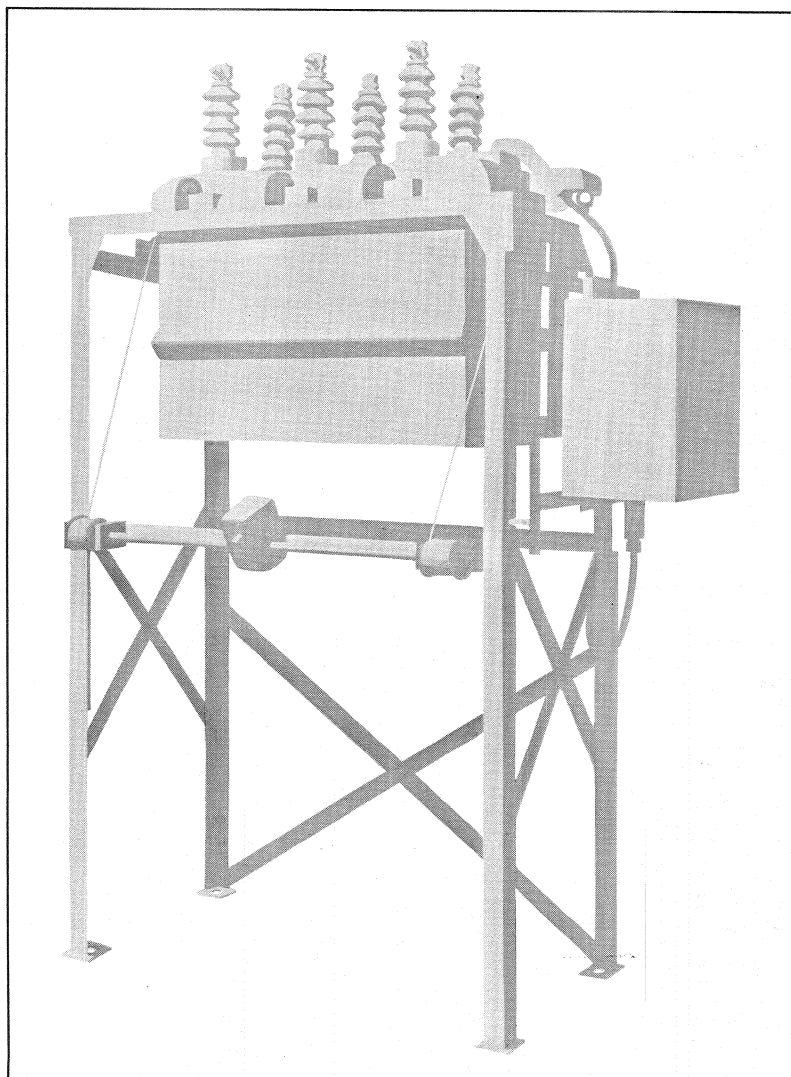
catalog number listed in the tabulation. Note that a single mounting is applicable, in some cases, to several devices. (Some mountings also are used with switches, Section 260, and sectionalizers, Section 270, as noted in these sections.) Thus, purchasing is simplified and stock inventory may be minimized.

DIMENSIONS

Dimensional information in this section covers application details of the mountings, also limiting installation dimensions with equipment and major auxiliaries in place. Dimensions related specifically to individual reclosers are contained in respective recloser sections. Adjustments for such variations as extra-creep bushings, where not shown on mounting drawings, are tabulated with the recloser dimensions.



Recloser on pole-mounting bracket.



Recloser in substation frame.



HANGERS, FRAMES AND BRACKETS

Hydraulically Controlled Reclosers — Single Phase

| Description | Types and Catalog Numbers | | | | | | | Page |
|------------------------------------|---------------------------|----------|----------|----------|----------|----------|-----------|------|
| | H | 4H & V4H | E | 4E | L | D | DV | |
| Crossarm mounting hanger | KA39H | KA39H | KA39H | KA39H | KA39H | | | 4 |
| Extension pole mounting hanger | KA47H | KA700L | KA700L | | KA700L | | | 4 |
| Substation mounting hangers | KA750H | | | | | | | 4 |
| Cluster-type pole-mounting bracket | DT6C1(a) | DT6C1(a) | DT6C1(a) | DT7C1(a) | DT7C1(a) | DT8C1(a) | DT23C1(a) | |

(a) Cluster-type pole-mounting brackets for distribution transformers can be used for mounting three single-phase reclosers on one pole. Order from East Stroudsburg plant.

Hydraulically Controlled Reclosers — Three Phase

| Description | Types and Catalog Numbers | | | | | | | | | Page |
|--|---------------------------|----------|---------|---------|---------|---------|---------|---------|---------|-------|
| | 3H | 6H & V6H | R | RX | RV | W | WV | VW | VWV | |
| Double crossarm or substation hanger, broadside mounting | KA19H3 | KA19H3 | | | | | | | | 5 |
| Double crossarm hanger for mounting between crossarms | KA21H3 | KA21H3 | | | | | | | | 5 |
| Side-arm offset hanger | KA29H3 | KA29H3 | | | | | | | | 5 |
| Direct pole hanger, end mounted | KA114H3 | KA114H3 | | | | | | | | 5 |
| Direct pole hanger, broadside mounted | KA116H3 | KA116H3 | | | | | | | | 5 |
| Substation mounting frame | KA46H6 | KA46H6 | KA584R1 | KA584R1 | KA584R1 | KA584R1 | KA584R1 | KA584R1 | KA584R1 | 6,7,8 |
| Kit to mount 3H, 6H or V6H in KA584R1 substation frame (a) | KA712H3 | KA712H3 | | | | | | | | |
| Brackets for mounting TR ct on KA584R1 frame | | | KA584R3 | KA584R3 | | KA584R3 | | | | 7 |
| Brackets for mounting three socket meter trough on KA584R1 frame | | | KA584R4 | KA584R4 | KA584R4 | KA584R4 | KA584R4 | KA584R4 | KA584R4 | 8 |
| Mounting bracket for ground-trip switch on KA584R1 frame | | | KA584R6 | KA584R6 | KA584R6 | KA584R6 | KA584R6 | KA584R6 | KA584R6 | |
| Tank-lifting windlass for substation frame (b) | KA584R2 | KA584R2 | KA584R2 | KA584R2 | KA584R2 | KA584R2 | KA584R2 | KA584R2 | KA584R2 | 7,8 |
| Crossarm mounting frame, (Type R only) | | | KA137R | | | | | | | 10 |
| Crossarm mounting frame for recloser and TR ct (Type R only) | | | KA136R | | | | | | | 10 |
| Tank-lifting windlass for KA136R, KA137R | | | KA662R | | KA662R | KA662R | KA662R | | | 10 |
| Single-pole hanger | | | KA146W1 | KA146W1 | KA146W1 | KA146W1 | KA146W1 | KA146W1 | KA146W1 | 11 |
| Tank-lifting windlass for single-pole hanger | | | KA146W2 | KA146W2 | KA146W2 | KA146W2 | KA146W2 | KA146W2 | KA146W2 | 11 |
| Direct-pole hanger, end mounted Recloser and TR ct | | | KA706R2 | KA706R2 | | KA706R2 | | | | 9 |
| Direct-pole hanger, end mounted | | | KA706R1 | KA706R1 | KA706R1 | KA706R1 | KA706R1 | KA706R1 | KA706R1 | 12 |

(a) Kit KA712H3 converts a KA584R1 frame to a KA46H6 frame. The KA46H6 frame consists of the combination.

(b) Shown mounted on KA46H6 and other substation frames, but must be ordered separately.



HANGERS, FRAMES AND BRACKETS (continued)

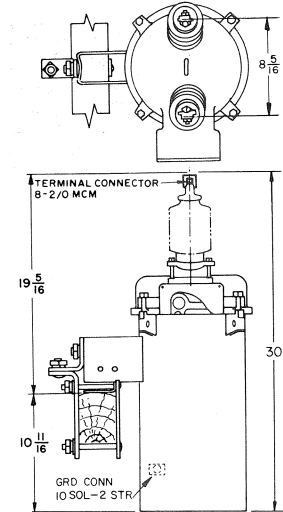
Electronically Controlled Reclosers

| Description | Types and Catalog Numbers | | | | | | Page |
|--|--------------------------------------|-------------|---------|-----------------|-------------|---------|--------------------|
| | RE, RXE, RVE WE, WVE VWE, VWVE | VSR, VSA | VSML | ME, MLE, MVE | CXE, CVE | CZE | |
| Crossarm mounting frame, Type RE only | KA137R | | | | | | 10 |
| Tank-lifting windlass for KA137R | KA662R | | | | | | 10 |
| Two-pole mounting frame assembly | | | | KA1066M | KA99CE | (a) | 16,17 |
| Single-pole mounting hanger | KA146W1 | KA56VS | KA52VSM | | | | 11,13,14 |
| Tank-lifting windlass for KA146W1 hanger | KA146W2 | | | | | | 11 |
| Direct-pole hanger— end mounted | KA706R1 | | | | | | |
| Substation mounting frame extension | | KA55VS1 | KA55VS8 | KA1098M1 | KA24CE | KA53CZ | 14,15,16, 17,18 |
| Substation mounting frame | KA584R1 | | | | | | 13 |
| Tank-lifting windlass for substation frame or pole-frame | KA584R2 | | | KA1098M2 | KA77CE | | 13,16,17 |
| Tank-lifting windlass, left hand when viewed toward cabinet | | | | | | KA54CZ1 | 18 |
| Tank-lifting windlass, right hand when viewed toward cabinet | | | | | | KA54CZ2 | 18 |
| Control cabinet mounting bracket | KA584R4 | KA55VS2 | KA55VS2 | KA1098M5 | | | 14,15,16 |
| Double-size control cabinet mounting bracket | KA584R5 | KA55VS4 | KA55VS9 | KA1098M5 | | | 14,15,16 |

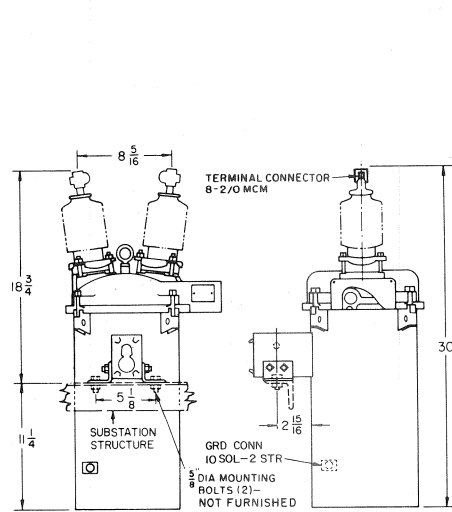
(a) Available from Hughes Bros.; Seward, Neb.; Cat. No. C-3682A.



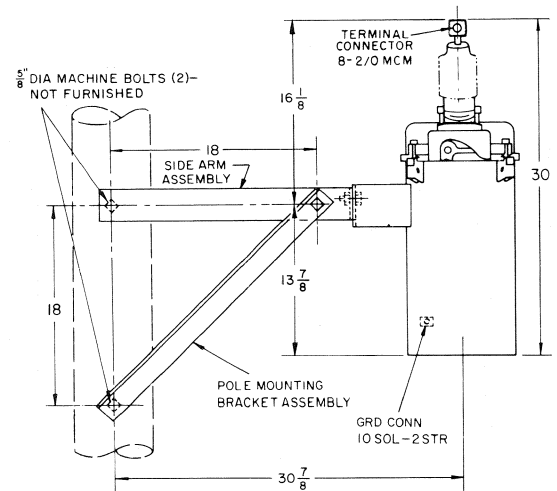
DIMENSIONAL INFORMATION
 For Type H



KA39H crossarm mounting hanger.



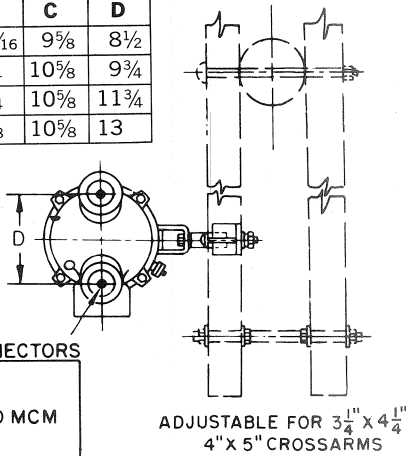
KA750H substation mounting bracket.



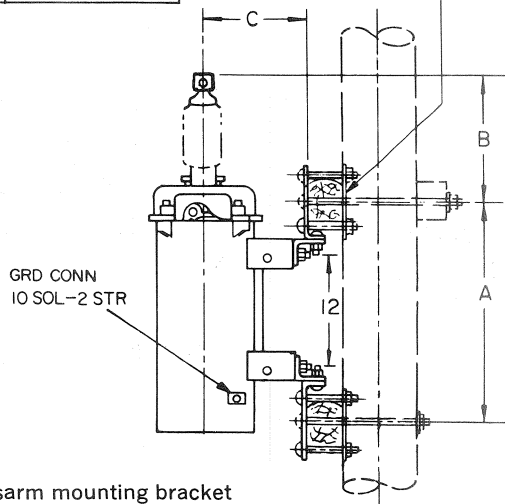
KA47H extension pole-mounting bracket.

For Types 4H, V4H, E, 4E, L

| Recloser Types | Dimensions (inches) | | | |
|----------------|---------------------|----------------------------------|--------------------------------|--------------------------------|
| | A | B | C | D |
| 4H, V4H | 24 | 10 ¹³ / ₁₆ | 9 ⁵ / ₈ | 8 ¹ / ₂ |
| E | 24 | 13 ³ / ₄ | 10 ⁵ / ₈ | 9 ³ / ₄ |
| 4E | 24 | 16 ¹ / ₄ | 10 ⁵ / ₈ | 11 ³ / ₄ |
| L | 24 | 12 ⁷ / ₈ | 10 ⁵ / ₈ | 13 |



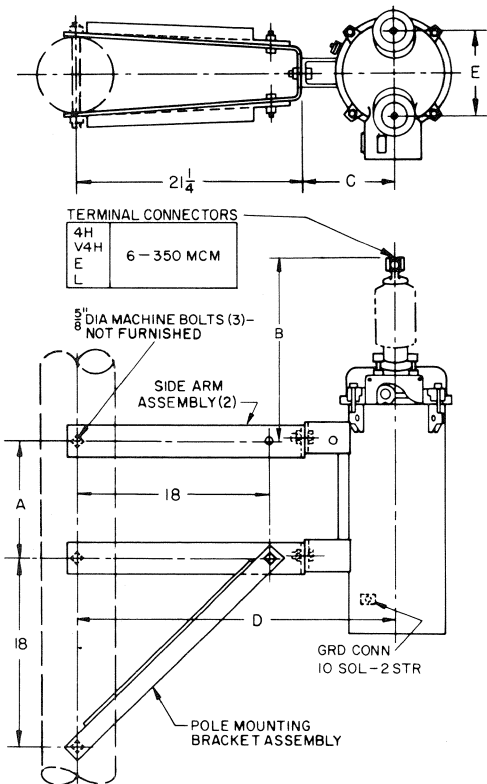
| TERMINAL CONNECTORS | |
|---------------------|-------------|
| 4H | 6 - 350 MCM |
| V4H | |
| E | |
| 4E | |
| L | |



KA39H crossarm mounting bracket
 (KA39H orders one bracket).

For Types 4H, V4H, E, L

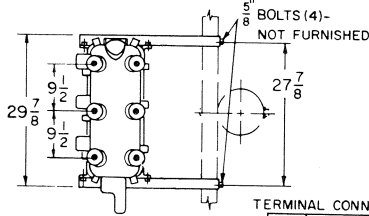
| Recloser Types | Dimensions (inches) | | | | |
|----------------|--------------------------------|---------------------------------|-------------------------------|----|-------------------------------|
| | A | B | C | D | E |
| 4H, V4H | 11 ¹ / ₄ | 17 ³ / ₁₆ | 8 ³ / ₄ | 30 | 8 ¹ / ₂ |
| E | 11 ¹ / ₄ | 20 ¹ / ₈ | 9 ³ / ₄ | 31 | 9 ³ / ₄ |
| L | 11 ¹ / ₄ | 19 ¹ / ₄ | 9 ³ / ₄ | 31 | 13 |



KA700L extension pole-mounting bracket.



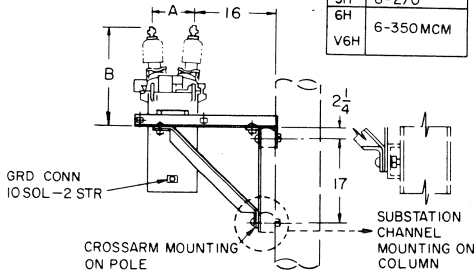
For Types 3H, 6H, V6H



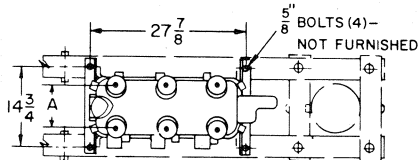
| Recloser Types | Dimensions (inches) | |
|-------------------------|-------------------------------|---------------------------------|
| | A | B |
| 3H | 8 ⁵ / ₈ | 19 ⁷ / ₁₆ |
| 6H V6H | 8 ³ / ₄ | 20 ³ / ₈ |

TERMINAL CONNECTORS

| | |
|-----|----------|
| 3H | 8-2/0 |
| 6H | 6-350MCM |
| V6H | 6-350MCM |



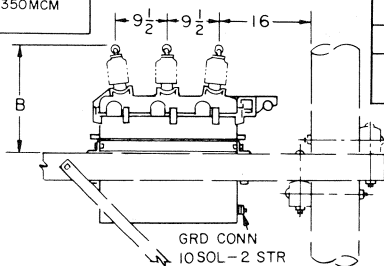
KA19H3 crossarm or substation hangers.



TERMINAL CONNECTORS

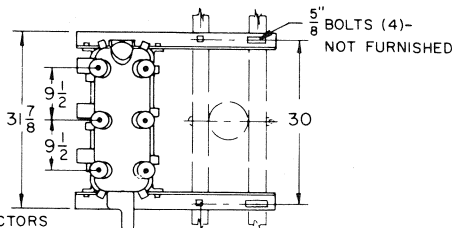
| | |
|-----|----------|
| 3H | 8-2/0 |
| 6H | 6-350MCM |
| V6H | 6-350MCM |

COVER CAN BE ROTATED 180° RELATIVE TO TANK



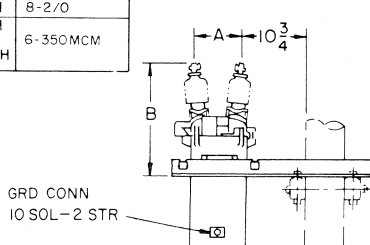
| Recloser Types | Dimensions (inches) | |
|-------------------------|-------------------------------|---------------------------------|
| | A | B |
| 3H | 8 ⁵ / ₈ | 19 ⁷ / ₁₆ |
| 6H V6H | 8 ³ / ₄ | 20 ³ / ₈ |

KA21H3 double crossarm hangers for between-crossarm mounting.



TERMINAL CONNECTORS

| | |
|-----|----------|
| 3H | 8-2/0 |
| 6H | 6-350MCM |
| V6H | 6-350MCM |



| Recloser Types | Dimensions (inches) | |
|-------------------------|-------------------------------|---------------------------------|
| | A | B |
| 3H | 8 ⁵ / ₈ | 20 ¹ / ₁₆ |
| 6H V6H | 8 ³ / ₄ | 21 |

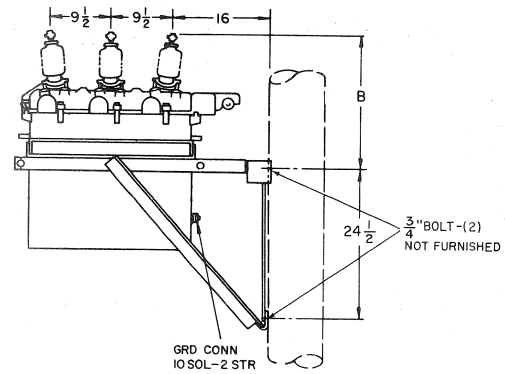
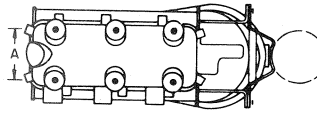
KA29H3 double crossarm, offset hanger.

For Types 3H, 6H, V6H

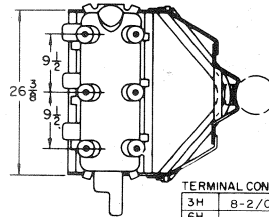
TERMINAL CONNECTORS

| | |
|-----|----------|
| 3H | 8-2/0 |
| 6H | 6-350MCM |
| V6H | 6-350MCM |

| Recloser Types | Dimensions (inches) | |
|-------------------------|-------------------------------|---------------------------------|
| | A | B |
| 3H | 8 ⁵ / ₈ | 20 ¹ / ₁₆ |
| 6H V6H | 8 ³ / ₄ | 21 ⁵ / ₈ |



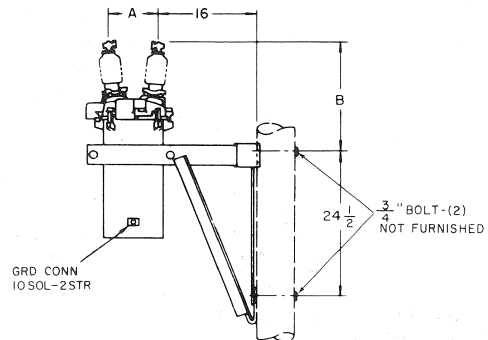
KA114H3 endwise pole mounting.



| Recloser Types | Dimensions (inches) | |
|-------------------------|-------------------------------|---------------------------------|
| | A | B |
| 3H | 8 ⁵ / ₈ | 17 ⁷ / ₁₆ |
| 6H V6H | 8 ³ / ₄ | 18 ³ / ₈ |

TERMINAL CONNECTORS

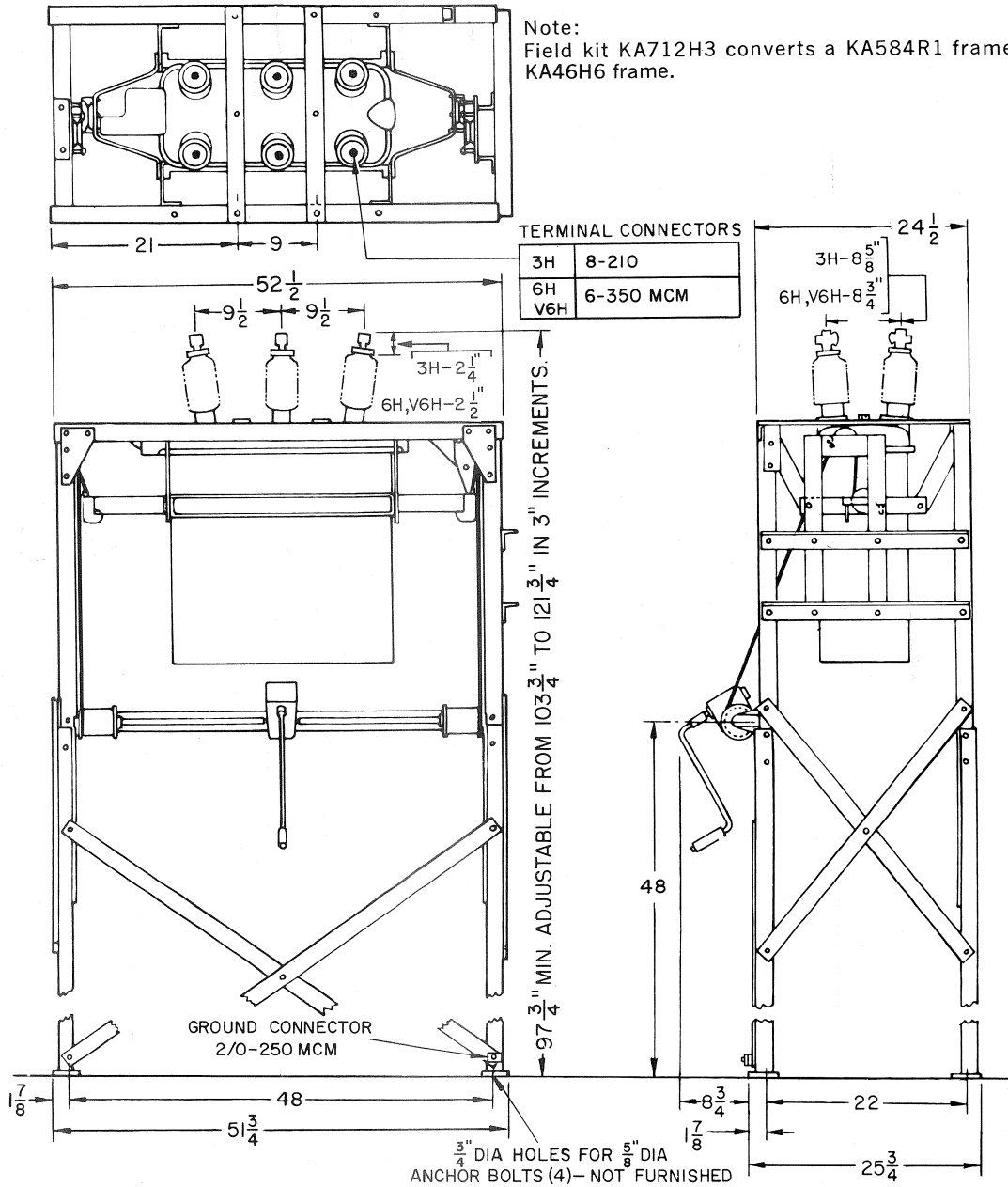
| | |
|-----|----------|
| 3H | 8-2/0 |
| 6H | 6-350MCM |
| V6H | 6-350MCM |



KA116H3 wideside pole mounting.



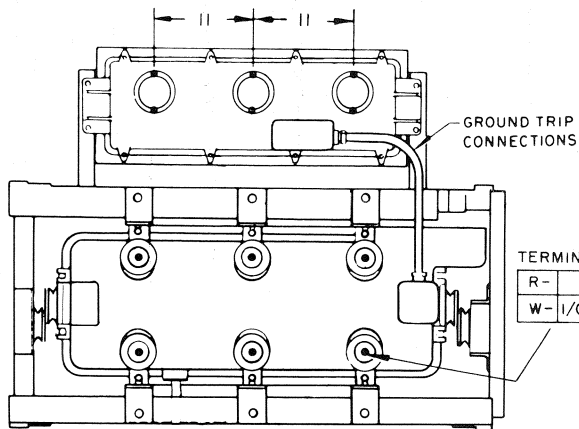
For Types 3H, 6H, V6H



KA46H6 substation mounting, shown with **KA584R2** tank hoist.



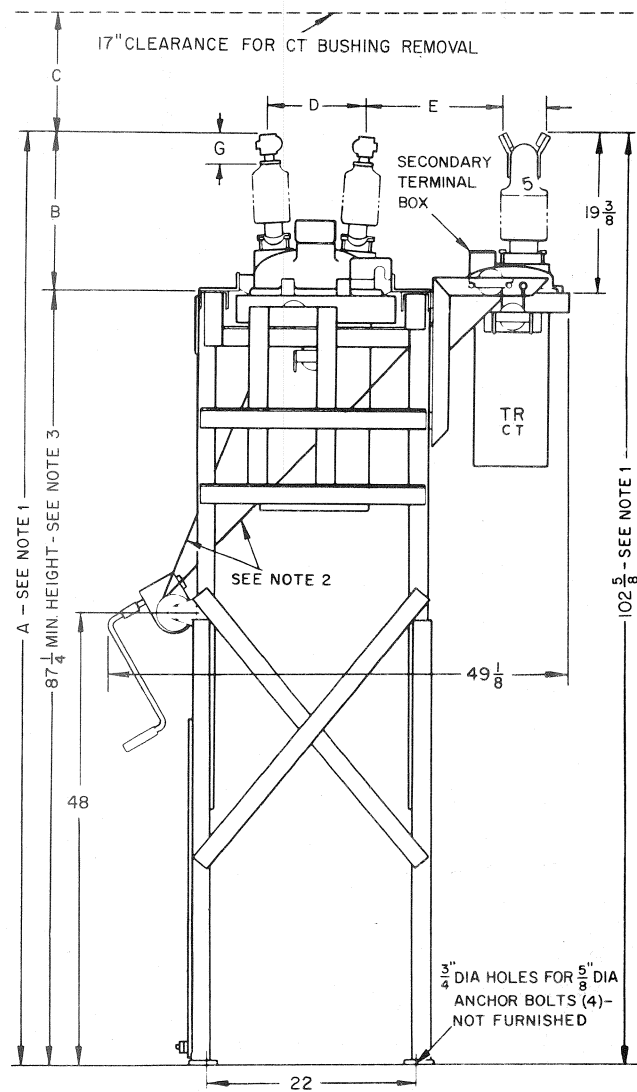
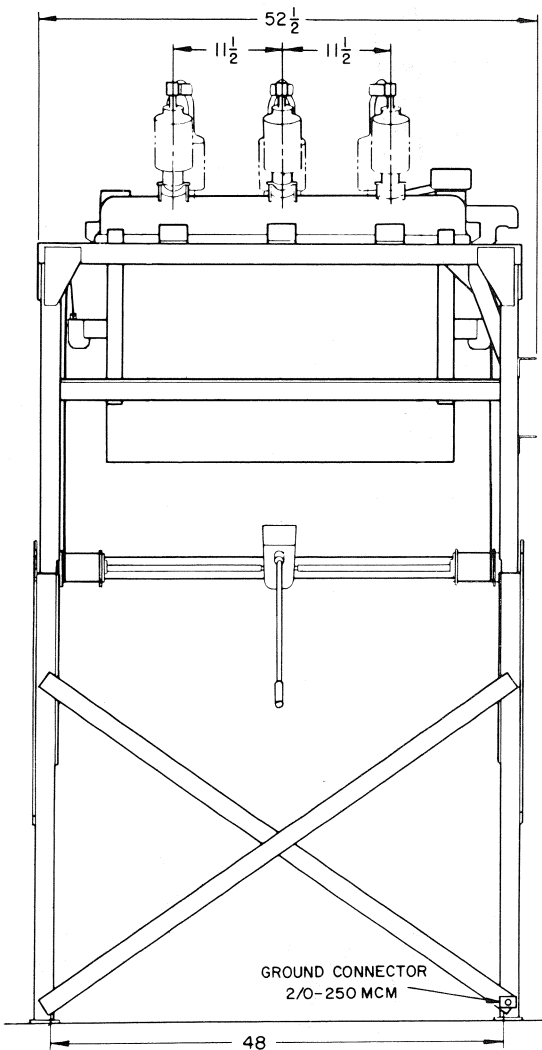
For Types R, RX, W



| Type | Dimensions (inches) | | | | |
|-----------------|---------------------|--------|--------|--------|--------|
| | A | B | C | D | E |
| R, RX and TR ct | 103 1/4 | 16 | 10 1/4 | 11 | 15 |
| W and TR ct | 104 | 16 3/4 | 10 1/4 | 11 1/8 | 14 7/8 |

NOTES:

1. THESE DIMENSIONS ARE SHOWN AT MIN HEIGHT.
2. HOISTING MECHANISM TO BE USED FOR RAISING OR LOWERING THE RECLOSER AND CURRENT TRANSFORMER BY CHANGING POSITION OF SHEAVES.
3. 87 1/4" MINIMUM HEIGHT-ADJUSTABLE FROM 93 1/4" TO 111 1/4" IN 3" INCREMENTS.



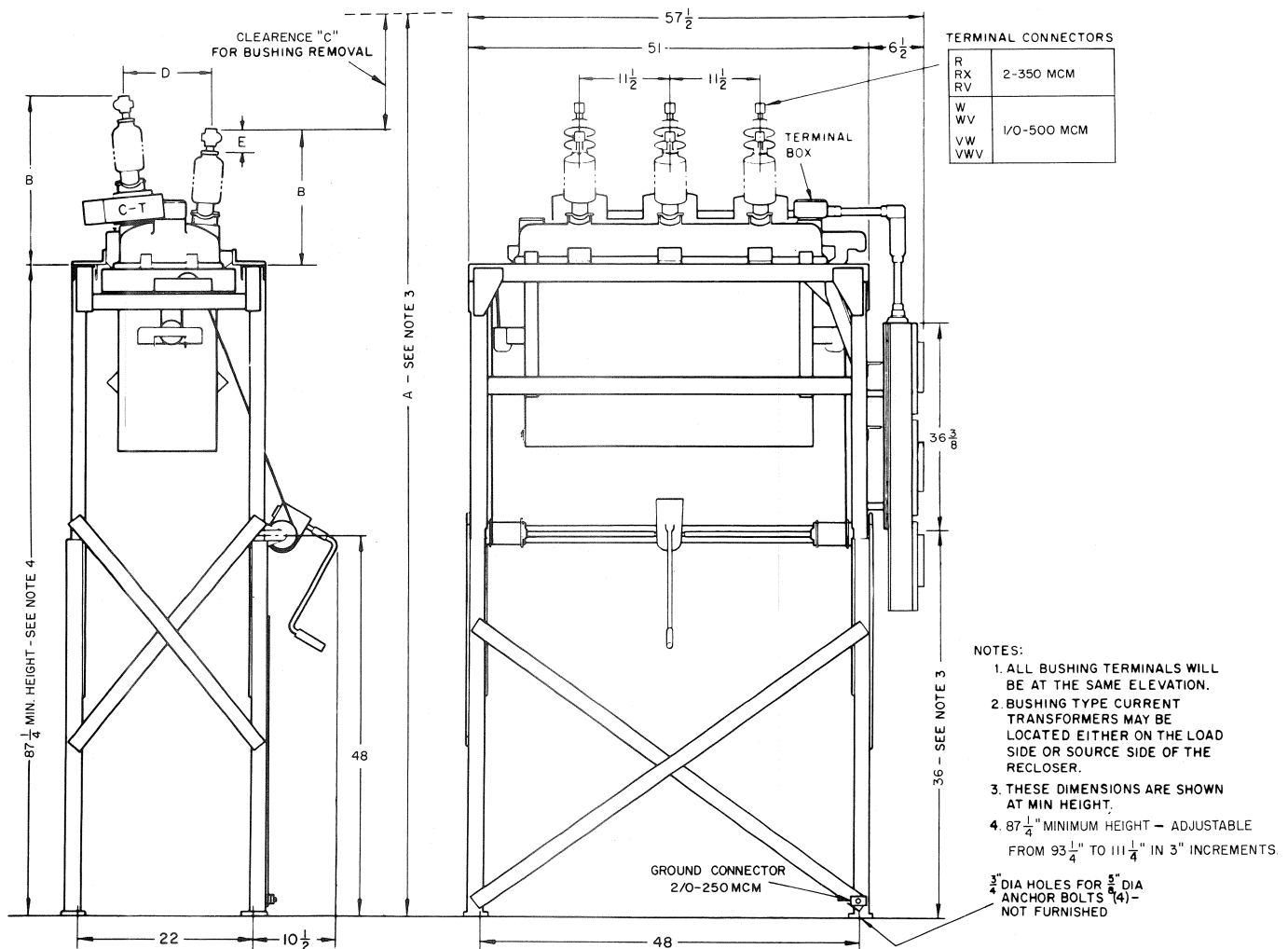
KA584R1 substation mounting frame shown with KA584R3 mounting frame for type TR ct and with KA584R2 tank hoist assembly.



For Types R, RX, RV, W, WV, VW, VVW

| Recloser Type | Bushing | Dimensions (inches) | | | | | | | |
|----------------|--|--|--------------------------------------|--------------------------------------|--------------------------------------|--|--------------------------------------|--------------------------------------|--------------------------------------|
| | | Recloser w/o Bct | | | | Recloser w/Bct | | | |
| | | A* | B | C | D | A* | B | C | D |
| R, RX W, VW | Standard or 17" Extra-Creepage | 103 $\frac{1}{4}$ 104 | 16 16 $\frac{3}{4}$ | 10 $\frac{1}{4}$ 10 $\frac{1}{4}$ | 11 11 $\frac{1}{8}$ | 107 $\frac{7}{8}$ 108 $\frac{5}{8}$ | 20 $\frac{5}{8}$ 21 $\frac{3}{8}$ | 15 15 | 11 $\frac{3}{4}$ 11 $\frac{7}{8}$ |
| RV WV, VVW | Standard | 106 $\frac{5}{8}$ 107 $\frac{3}{8}$ | 19 $\frac{5}{8}$ 20 $\frac{3}{8}$ | 11 $\frac{3}{4}$ 11 $\frac{3}{4}$ | 11 $\frac{1}{2}$ 11 $\frac{5}{8}$ | 111 $\frac{3}{4}$ 112 | 24 24 $\frac{3}{4}$ | 16 $\frac{1}{2}$ 16 $\frac{1}{2}$ | 12 $\frac{3}{8}$ 12 $\frac{1}{2}$ |
| RV WV, VVW | 26 $\frac{1}{2}$ -inch Extra-Creepage | 108 $\frac{1}{2}$ 109 $\frac{1}{4}$ | 21 $\frac{1}{4}$ 22 | 11 $\frac{3}{4}$ 11 $\frac{3}{4}$ | 12 12 | 113 $\frac{1}{8}$ 113 $\frac{7}{8}$ | 25 $\frac{7}{8}$ 26 $\frac{5}{8}$ | 16 $\frac{1}{2}$ 16 $\frac{1}{2}$ | 12 $\frac{3}{4}$ 12 $\frac{3}{4}$ |

*At minimum height

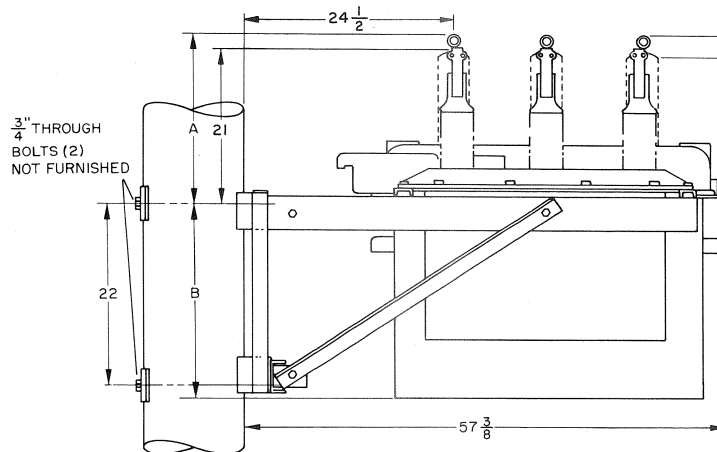
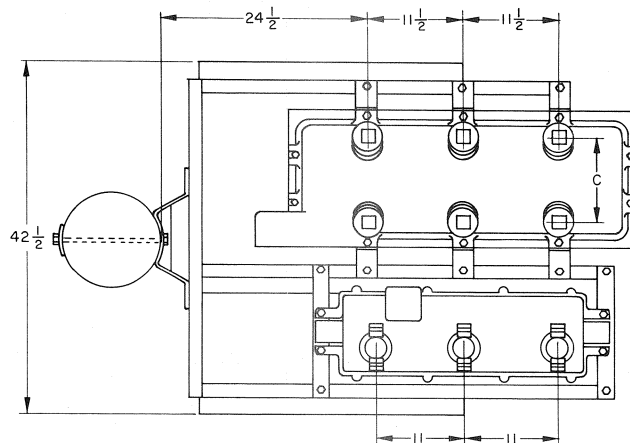


KA584R1 substation mounting frame shown with KA584R4 metering bracket and with KA584R2 tank hoist assembly.



For Types R, RX, W

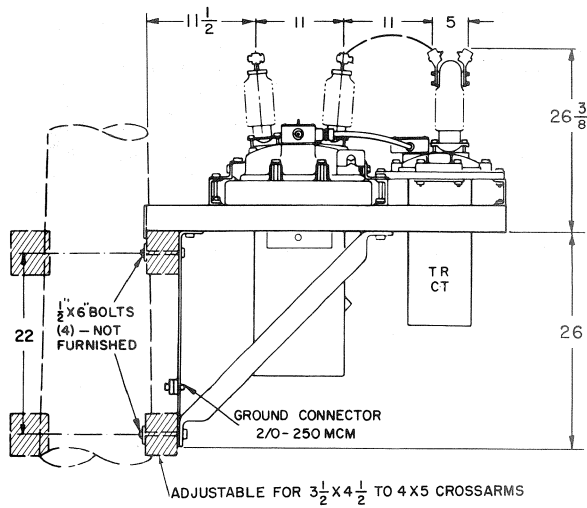
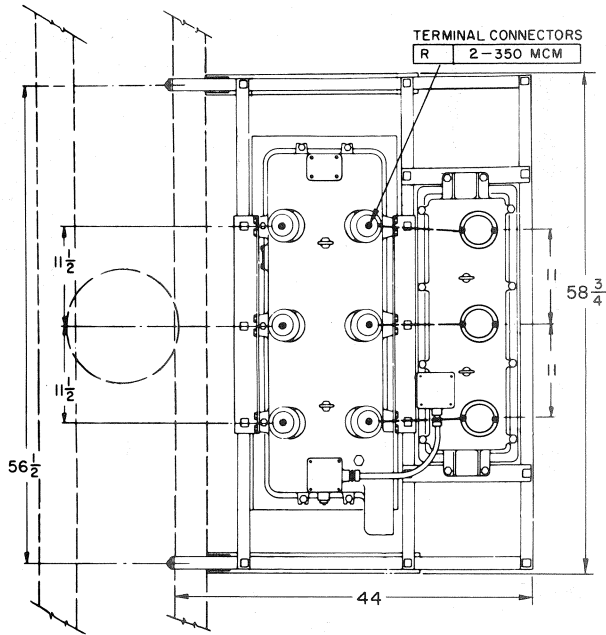
| Type | Dimensions (inches) | | | |
|-----------------|---------------------|------------------|------------------|-----------------|
| | A | B | C | D |
| R, RX and TR ct | 16 $\frac{5}{8}$ | 22 $\frac{5}{8}$ | 11 | 2 $\frac{1}{4}$ |
| W and TR ct | 17 $\frac{3}{8}$ | 22 $\frac{5}{8}$ | 11 $\frac{1}{8}$ | 3 $\frac{1}{8}$ |



KA706R2 direct pole hanger—end mounted for type R, RX, W Recloser and type TR ct.

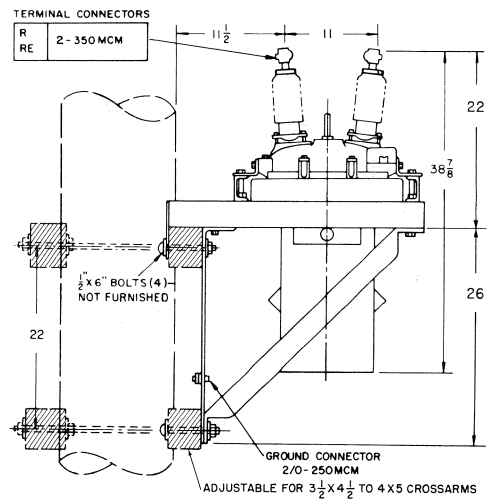
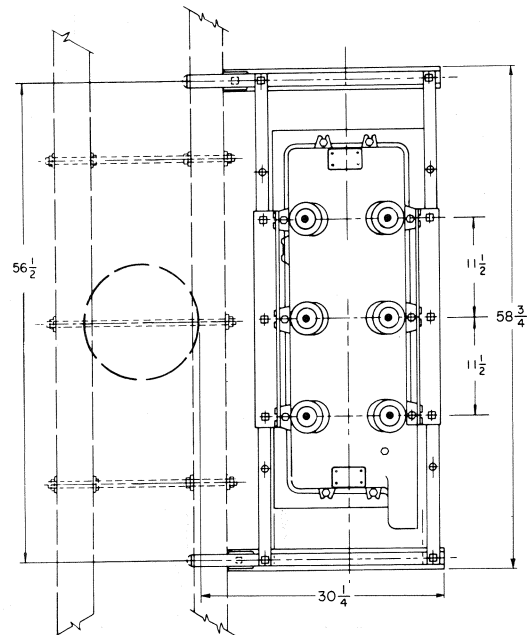


For Type R



KA136R crossarm mounting for recloser and type TR ct
KA662R tank hoist not shown.

For Type R, RE

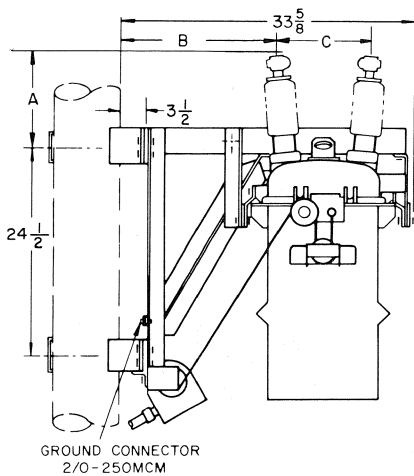


KA137R crossarm mounting frame
KA662R tank hoist not shown.

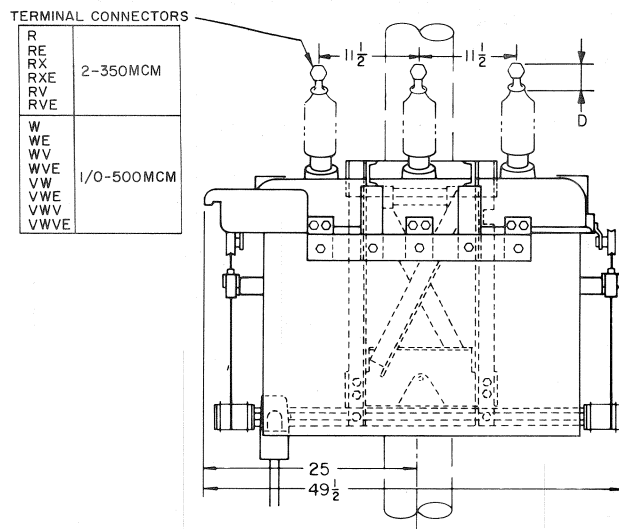


For Types R, RE, RX, RXE, RV, RVE, W, WE, WV, WVE, VW, VWE, VWV, VWVE

| Recloser Type | Bushing | Dimensions (inches) | | | | | | | |
|------------------------------------|--|--------------------------------|---------------------------------|--------------------------------|-------------------------------|--------------------------------|----------------------------------|--------------------------------|-------------------------------|
| | | Recloser w/o Bct | | | | Recloser w/Bct | | | |
| | | A | B | C | D | A | B | C | D |
| R, RE, RX, RXE W, WE VW, VWE | Standard or 17-inch Extra-Creepage | 8 ⁵ / ₈ | 18 ³ / ₈ | 11 | 2 ¹ / ₂ | 13 ¹ / ₄ | 18 | 11 ³ / ₄ | 2 ¹ / ₂ |
| | | 9 ³ / ₈ | 18 ⁹ / ₁₆ | 11 ¹ / ₈ | 3 ¹ / ₈ | 14 | 17 ¹⁵ / ₁₆ | 11 ⁷ / ₈ | 3 ¹ / ₈ |
| | | 9 ³ / ₈ | 18 ³ / ₁₆ | 11 ¹ / ₈ | 3 ¹ / ₈ | 14 | 17 ¹⁵ / ₁₆ | 11 ⁷ / ₈ | 3 ¹ / ₈ |
| RV, RVE WV, WVE VWV, VWVE | Standard | 12 | 18 ³ / ₈ | 11 ¹ / ₂ | 2 ¹ / ₂ | 16 ⁵ / ₈ | 17 ¹¹ / ₁₆ | 12 ⁵ / ₈ | 2 ¹ / ₂ |
| | | 12 ³ / ₄ | 18 ³ / ₁₆ | 11 ⁵ / ₈ | 3 ¹ / ₈ | 17 ³ / ₈ | 17 ³ / ₈ | 12 ¹ / ₂ | 3 ¹ / ₈ |
| | | 12 ³ / ₄ | 18 ³ / ₁₆ | 11 ⁵ / ₈ | 3 ¹ / ₈ | 17 ³ / ₈ | 17 ³ / ₈ | 12 ¹ / ₂ | 3 ¹ / ₈ |
| RV, RVE WV, WVE VWV, VWVE | 26 ¹ / ₂ -inch Extra-Creepage | 13 ⁷ / ₈ | 17 ⁷ / ₈ | 12 | 2 ¹ / ₂ | 18 ¹ / ₂ | 17 ¹ / ₂ | 12 ³ / ₄ | 2 ¹ / ₂ |
| | | 14 ³ / ₈ | 17 ⁷ / ₈ | 12 | 3 ¹ / ₈ | 19 ¹ / ₄ | 17 ¹ / ₂ | 12 ³ / ₄ | 3 ¹ / ₈ |
| | | 14 ³ / ₈ | 17 ⁷ / ₈ | 12 | 3 ¹ / ₈ | 19 ¹ / ₄ | 17 ¹ / ₂ | 12 ³ / ₄ | 3 ¹ / ₈ |

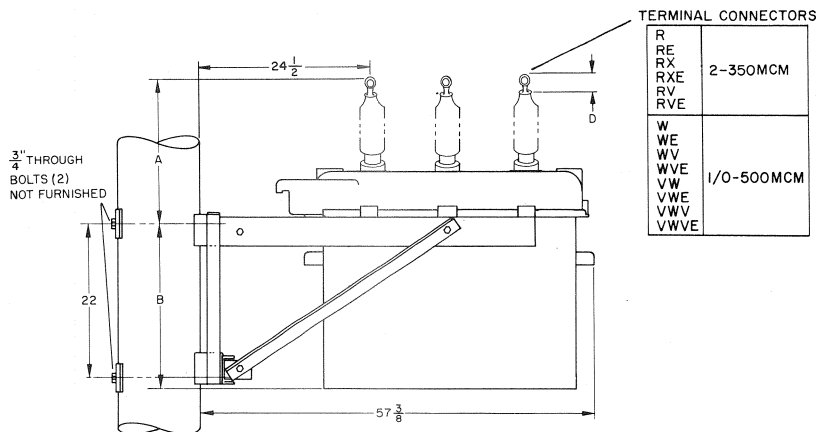
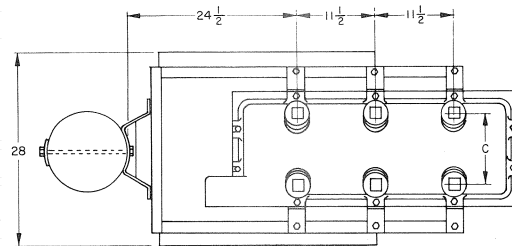


KA146W1 single-pole mounting hanger with
KA146W2 tank hoist.



For Types R, RE, RX, RXE, RV, RVE, W, WE, WV, WVE, VW, VWE, VWV, VWVE

| Recloser Type | Bushing | Dimensions (inches) | | | | | | | |
|------------------------------------|--|--------------------------------|--------------------------------|--------------------------------|-------------------------------|--------------------------------|--------------------------------|--------------------------------|-------------------------------|
| | | Recloser w/o Bct | | | | Recloser w/Bct | | | |
| | | A | B | C | D | A | B | C | D |
| R, RE, RX, RXE W, WE VW, VWE | Standard or 17-inch Extra-Creepage | 16 ⁵ / ₈ | 22 ⁵ / ₈ | 11 | 2 ¹ / ₂ | 21 ¹ / ₄ | 22 ⁵ / ₈ | 11 ³ / ₄ | 2 ¹ / ₂ |
| | | 17 ³ / ₈ | 22 ⁵ / ₈ | 11 ¹ / ₈ | 3 ¹ / ₈ | 22 | 22 ⁵ / ₈ | 11 ⁷ / ₈ | 3 ¹ / ₈ |
| | | 17 ³ / ₈ | 29 ¹ / ₈ | 11 ¹ / ₈ | 3 ¹ / ₈ | 22 | 29 ¹ / ₈ | 11 ⁷ / ₈ | 3 ¹ / ₈ |
| RV, RVE WV, WVE VWV, VWVE | Standard | 20 | 22 ⁵ / ₈ | 11 ¹ / ₂ | 2 ¹ / ₂ | 24 ³ / ₈ | 22 ⁵ / ₈ | 12 ³ / ₈ | 2 ¹ / ₂ |
| | | 20 ³ / ₄ | 22 ⁵ / ₈ | 11 ⁵ / ₈ | 3 ¹ / ₈ | 25 ³ / ₈ | 22 ⁵ / ₈ | 12 ¹ / ₂ | 3 ¹ / ₈ |
| | | 20 ³ / ₄ | 29 ¹ / ₈ | 11 ⁵ / ₈ | 3 ¹ / ₈ | 25 ³ / ₈ | 29 ¹ / ₈ | 12 ¹ / ₂ | 3 ¹ / ₈ |
| RV, RVE WV, WVE VWV, VWVE | 26 ¹ / ₂ -inch Extra-Creepage | 21 ⁷ / ₈ | 22 ⁵ / ₈ | 12 | 2 ¹ / ₂ | 26 ¹ / ₂ | 22 ⁵ / ₈ | 12 ³ / ₄ | 2 ¹ / ₂ |
| | | 22 ⁵ / ₈ | 22 ⁵ / ₈ | 12 | 3 ¹ / ₈ | 27 ¹ / ₄ | 22 ⁵ / ₈ | 12 ³ / ₄ | 3 ¹ / ₈ |
| | | 22 ⁵ / ₈ | 29 ¹ / ₈ | 12 | 3 ¹ / ₈ | 27 ¹ / ₄ | 29 ¹ / ₈ | 12 ³ / ₄ | 3 ¹ / ₈ |



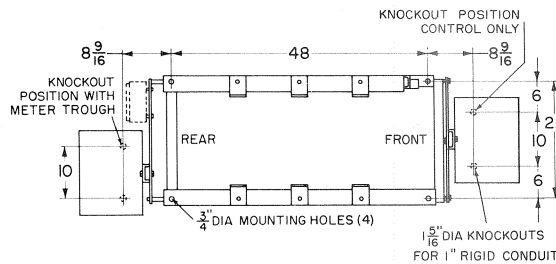
KA706R1 direct pole hanger—end mounted.



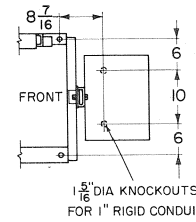
For Types RE, RXE, RVE, WE, WVE, VWE, VWVE

| Recloser Type | Bushing | Dimensions (inches) | | | | | | | |
|--------------------|--|---------------------|------------------|------------------|------------------|-------------------|------------------|------------------|------------------|
| | | Recloser w/o Bct | | | | Recloser w/Bct | | | |
| | | A* | B | C | D | A* | B | C | D |
| RE, RXE WE, WVE | Standard or 17" Extra-Creepage | 103 $\frac{1}{4}$ | 16 | 10 $\frac{1}{4}$ | 11 | 107 $\frac{7}{8}$ | 20 $\frac{5}{8}$ | 15 | 11 $\frac{3}{4}$ |
| | | 104 | 16 $\frac{3}{4}$ | 10 $\frac{1}{4}$ | 11 $\frac{1}{8}$ | 108 $\frac{5}{8}$ | 21 $\frac{3}{8}$ | 15 | 11 $\frac{7}{8}$ |
| RVE WVE, VWVE | Standard | 106 $\frac{5}{8}$ | 19 $\frac{5}{8}$ | 11 $\frac{3}{4}$ | 11 $\frac{1}{2}$ | 111 $\frac{3}{4}$ | 24 | 16 $\frac{1}{2}$ | 12 $\frac{5}{8}$ |
| | | 107 $\frac{3}{8}$ | 20 $\frac{1}{8}$ | 11 $\frac{3}{4}$ | 11 $\frac{5}{8}$ | 112 | 24 $\frac{3}{4}$ | 16 $\frac{1}{2}$ | 12 $\frac{1}{2}$ |
| RVE WVE, VWVE | 26 $\frac{1}{2}$ -inch Extra-Creepage | 108 $\frac{1}{2}$ | 21 $\frac{1}{4}$ | 11 $\frac{3}{4}$ | 12 | 113 $\frac{3}{8}$ | 25 $\frac{7}{8}$ | 16 $\frac{1}{2}$ | 12 $\frac{3}{4}$ |
| | | 109 $\frac{1}{4}$ | 22 | 11 $\frac{3}{4}$ | 12 | 113 $\frac{7}{8}$ | 26 $\frac{3}{8}$ | 16 $\frac{1}{2}$ | 12 $\frac{3}{4}$ |

*At minimum height



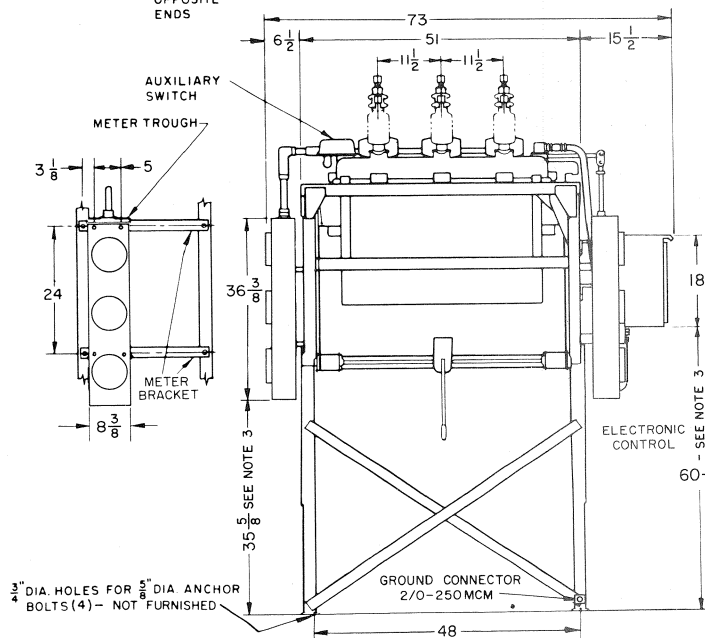
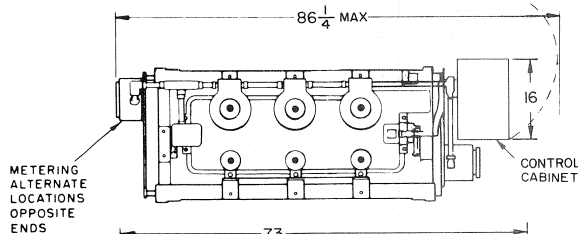
PAD MOUNTING AND KNOCKOUT ARRANGEMENT FOR OPTIONAL CONTROL MOUNTING



DOUBLE SIZE CONTROL MTG. FRONT END OF FRAME ONLY

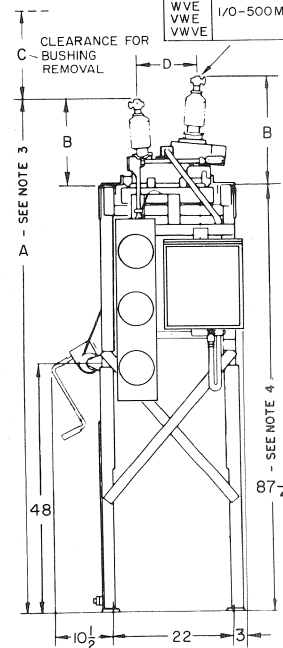
NOTES:

1. ALL BUSHING TERMINALS WILL BE AT THE SAME ELEVATION ON ANY PARTICULAR RECLOSER.
2. BUSHING-TYPE CURRENT TRANSFORMERS MAY BE LOCATED EITHER ON THE LOAD SIDE OR THE SOURCE SIDE OF THE RECLOSER.
3. THESE DIMENSIONS ARE SHOWN AT MIN HEIGHT.
4. 87 $\frac{1}{2}$ MIN HEIGHT - ADJUSTABLE FROM 93 $\frac{1}{2}$ TO 111 $\frac{1}{4}$ IN 3" INCREMENTS.
5. WHEN USING KA-579R2 (TWO BOLT PAD CONNECTORS) ADD 2 $\frac{7}{16}$ " TO "A", "B", "C", DIMENSIONS.



TERMINAL CONNECTOR

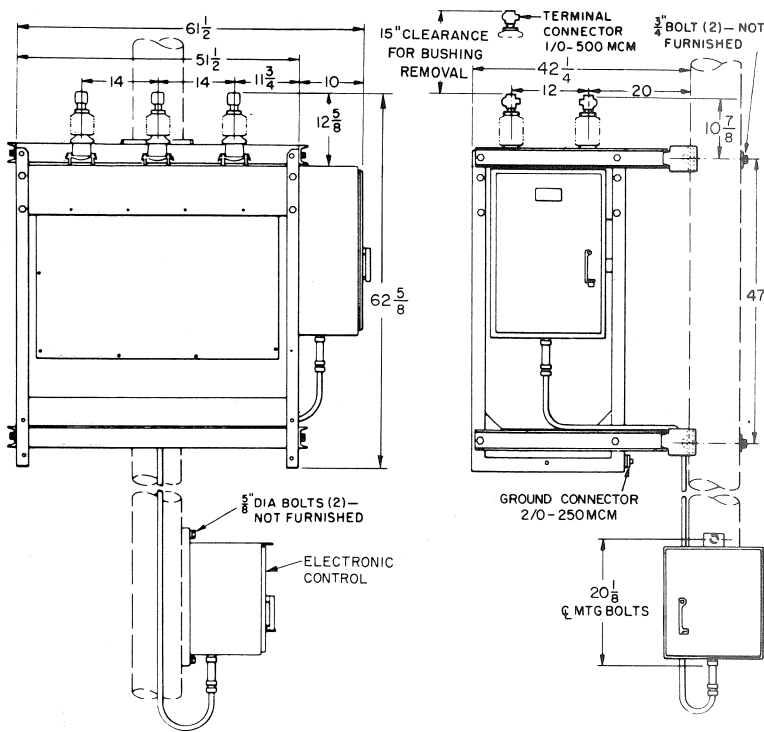
| | |
|------|------------|
| RE | 2-350MCM |
| RXE | |
| RVE | |
| WE | 1/0-500MCM |
| WVE | |
| VWE | |
| VWVE | |



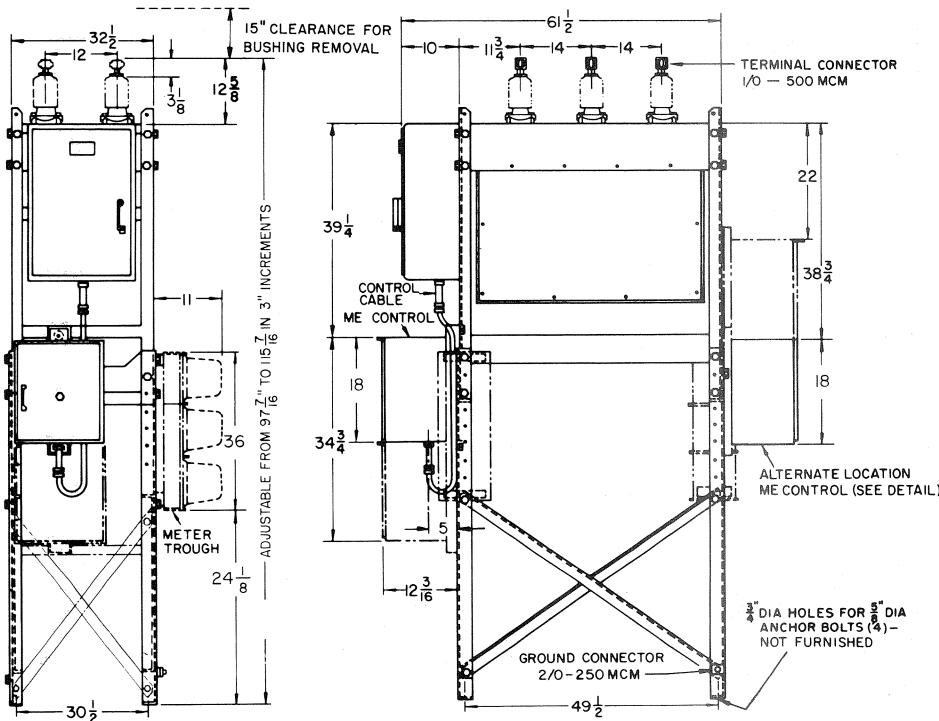
KA584R1 substation mounting frame shown with KA584R2 tank hoist.



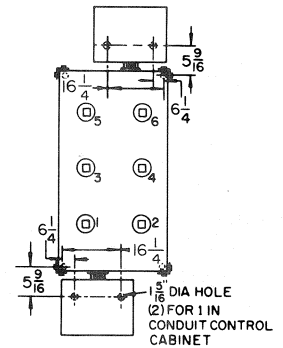
For Types VSML



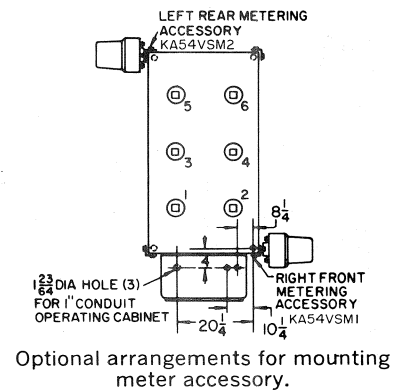
KA52VSM single-pole mounting frame.



KA55VS8 substation frame extension, shown with **KA55VS2** control cabinet mounting bracket and with **KA55VS9** double-size control cabinet mounting bracket.



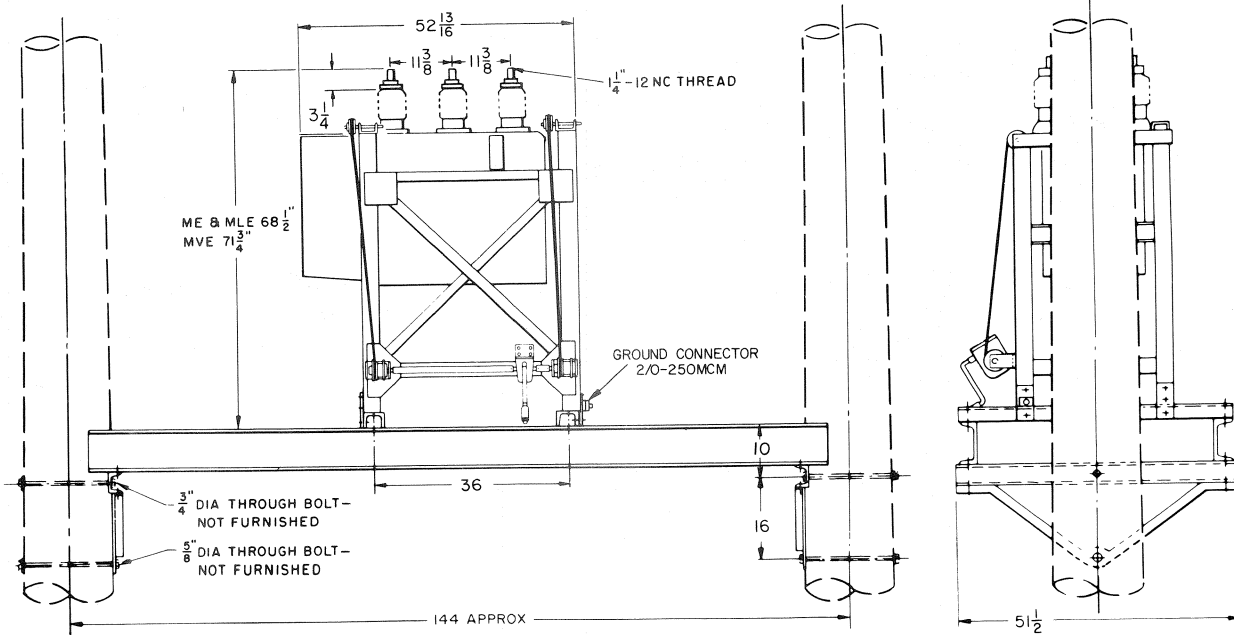
Optional arrangements for mounting Type ME electronic control (for clarity, operator cabinet on front of recloser not shown).



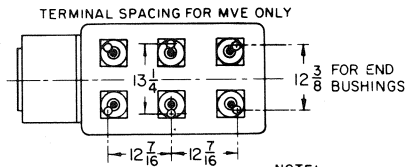
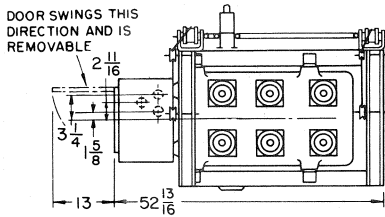
Optional arrangements for mounting meter accessory.



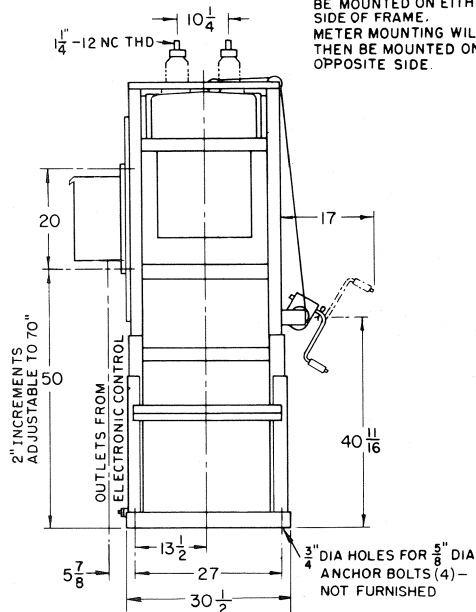
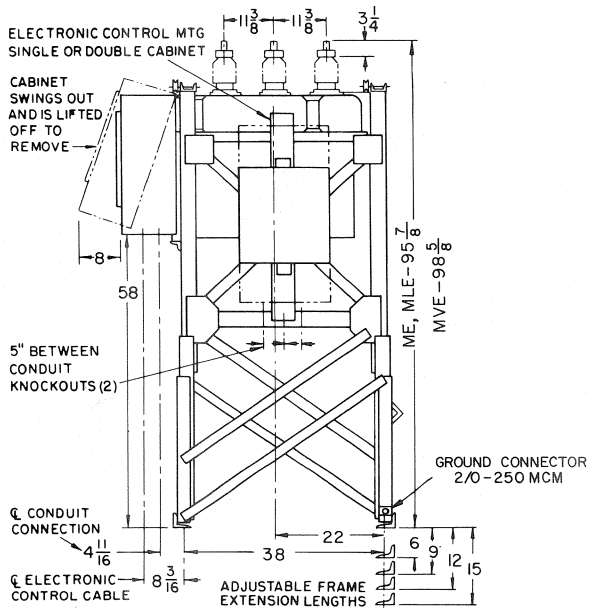
For Types ME, MLE, MVE



KA1066M two-pole mounting frame shown with **KA1098M2** tank hoist.



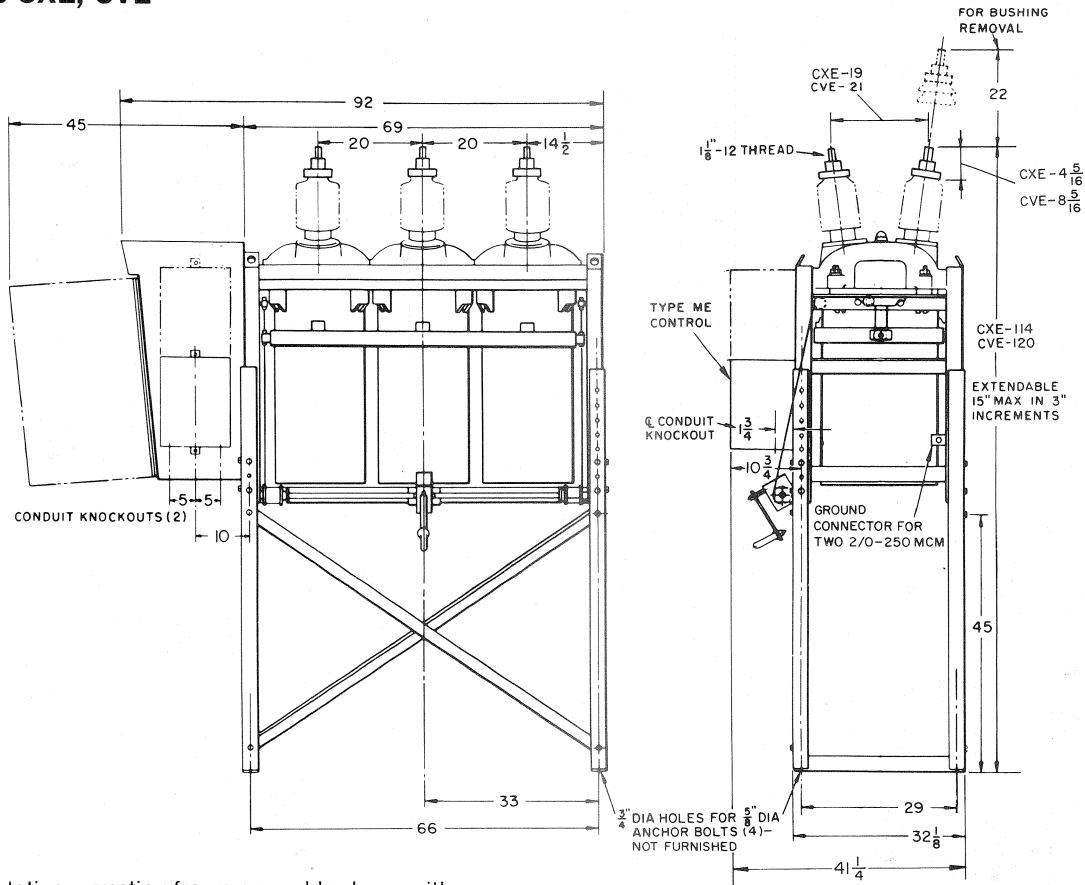
NOTE:
 LIFTING MECHANISM CAN
 BE MOUNTED ON EITHER
 SIDE OF FRAME.
 METER MOUNTING WILL
 THEN BE MOUNTED ON
 OPPOSITE SIDE.



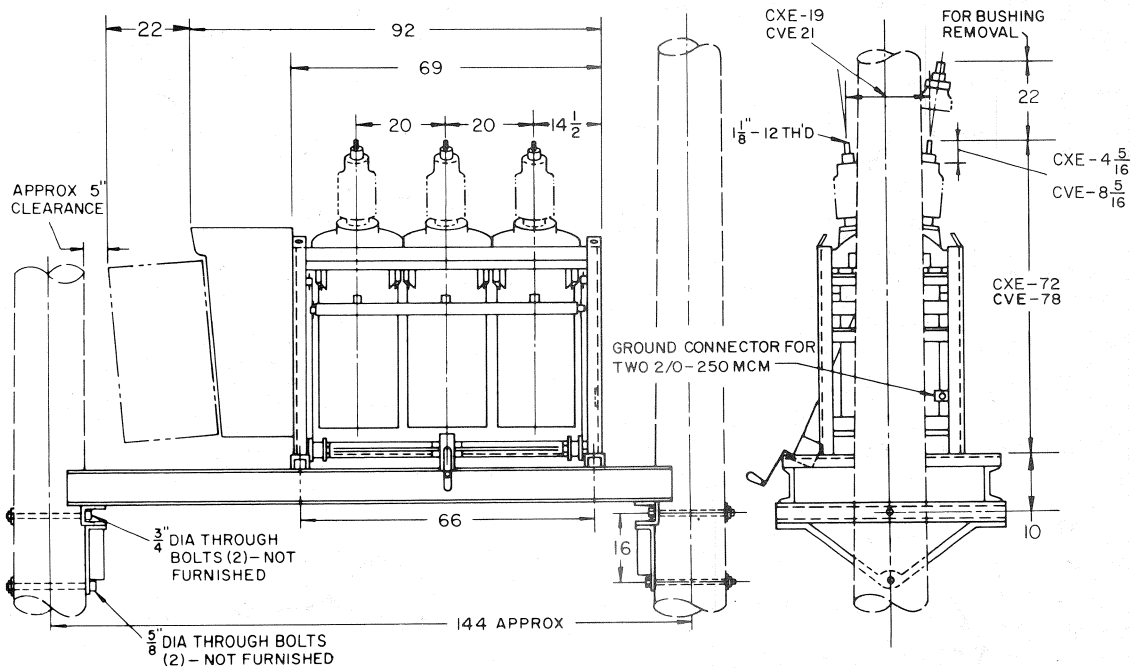
KA1098M1 substation mounting frame extension assembly shown with **KA1098M2** tank hoist and with **KA1098M5** control cabinet bracket.



For Types CXE, CVE



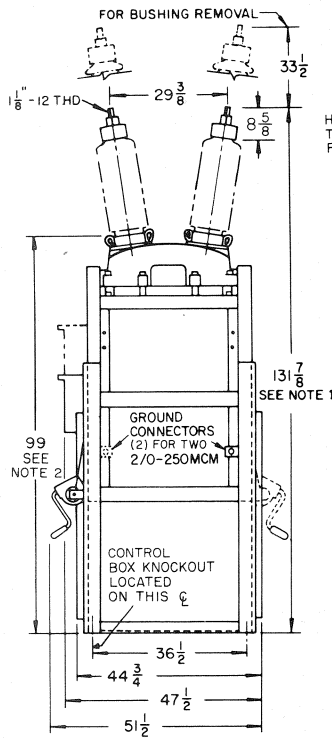
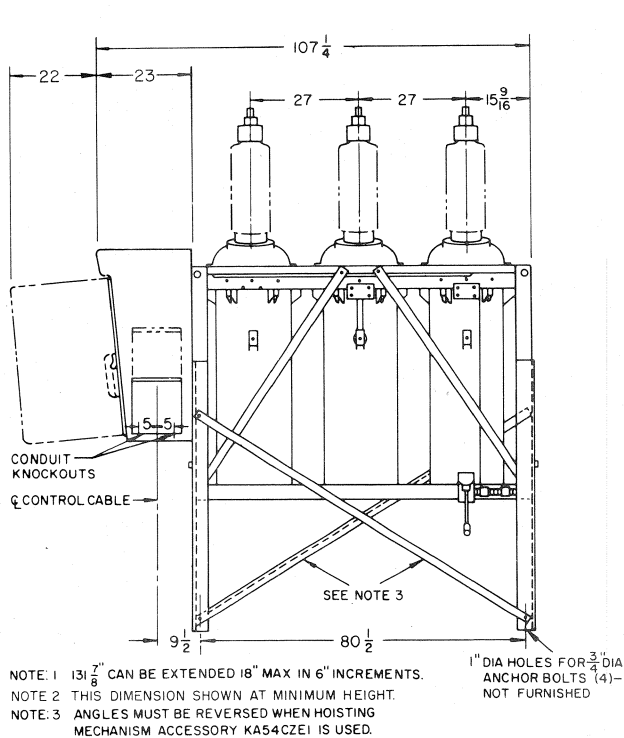
KA24CE substation mounting frame assembly shown with **KA77CE** tank hoist.



KA99CE two-pole mounting frame assembly with **KA77CE** tank hoist.



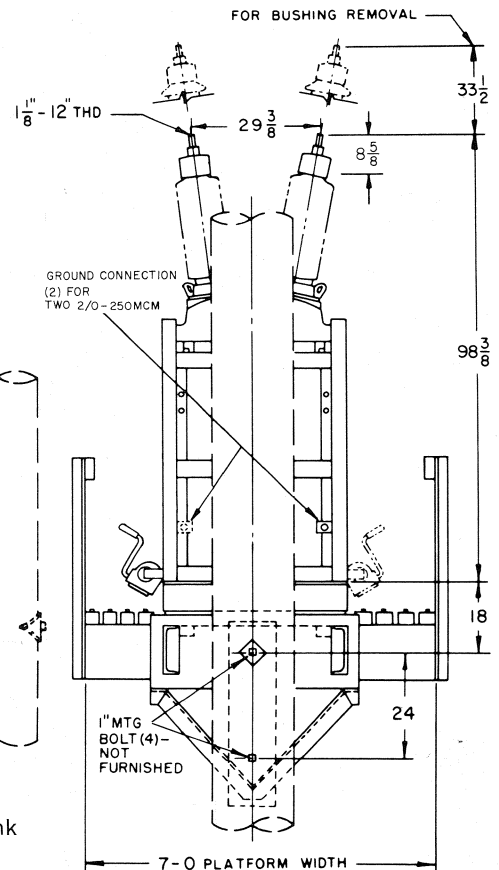
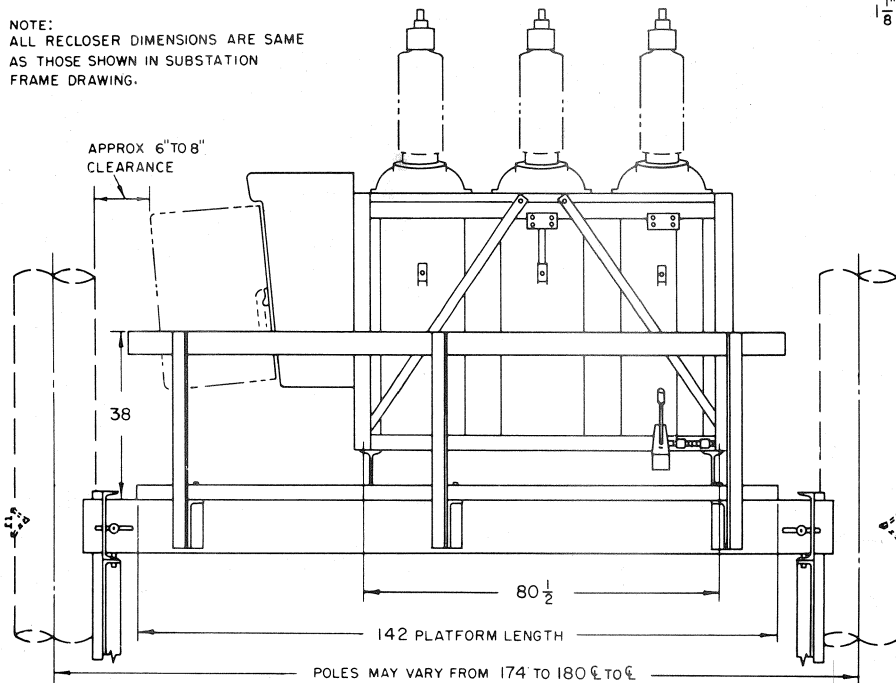
For Type CZE



HOISTING ACCESSORY ALLOWS TANKS TO BE DROPPED INDIVIDUALLY FOR INSPECTION AND MAINTENANCE

KA53CZ substation mounting frame assembly shown with **KA54CZ2** tank hoist, right hand facing cabinet **KA54CZ1** tank hoist, opposite hand (shown dotted).

NOTE:
 ALL RECLOSER DIMENSIONS ARE SAME AS THOSE SHOWN IN SUBSTATION FRAME DRAWING.



Hughes Bros. Cat. No. C-3682A two-pole mounting frame assembly shown with tank hoist. Crank in upper left quadrant. Order **KA54CZ4** tank hoist, right-hand facing cabinet or **KA54CZ3** tank hoist opposite hand (shown dotted).

